



SPECIFICATION FOR APPROVAL



Customer : _____
Products Name : LED Spotlight
Our Model : LUM-GU10H12-8WDIM
Customer model : _____

Approved by :

ECR history

version	issue date	Description of amendment/additional
A		

1. Specification

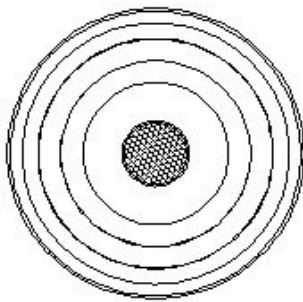
1-1. Environment

	Spec.			
	unit	Typical	min	max
Storage temp.	(degC)	25	-20	60
Operating temp.	(degC)	25	-20	40
Storage humidity	(%RH)	65%	10%	90%
Operating humidity	(%RH)	65%	10%	90%

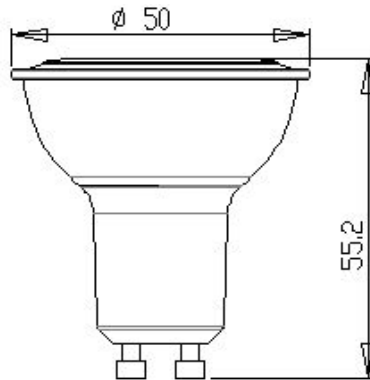
1-2. Geometry Property

Dimension & Drawing of products

	Spec.			
	unit	Typical	min	max
Diameter	(mm)	50	49	51
Cut-Out	(mm)			
MOL	(mm)	55.2	54.2	56.2
Weight	(g)	60	55	65
Base		GU10		



□



1-3. Electrical Performance

	spec			
	unit	Typical	min	max
Consumption Power	(w)	8	7.2	8.8
Input Voltage	(v)	230	220	240
Input Current	(mA)			
Power Factor		0.8		
Frequency	(Hz)	50		
Starting time * for EU	(sec)	0.5		

1-4. LED Chip/Package information LED

LED Vender	LUMINUS
model no.	COB
Number of LED per board	1

1-5. Photometric Performance

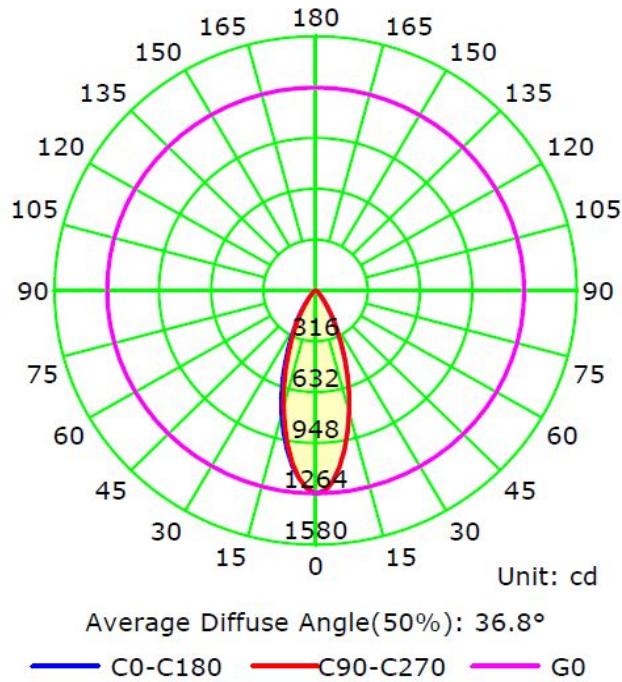
	unit	Spec.			
		Typical			
Color Temp.	(k)	3000	4000	5000	6500
luminous flux (90deg cone) * for EU directional lamp	(lm)				
total Luminus flux	(lm)	560	580	580	580
CBCP	(cd)	1260	1300	1300	1300
CRI(Ra)	700	≥80			
Beam Angle	(deg)	38/60			
Efficiency	(lm/w)	70	73	73	73
Dimming		YES			

Tolerance ± 6 %

1-6. Lifespan

Lifetime(L70) at 25deg	(hours)	30000	@25°C
Switching Cycle	(times)	15000	30s on / 60s off

1-7. Light Distribution data / LED's Spectrum wave form



1-8. work in special fixture

enclosed (sealed) fixtures	(OK or N/A)	N/A
thermal-insulation fixtures	(OK or N/A)	N/A

1-9. compatibility for switch with indicator (Firefly switch)

compatible	(OK or N/A)	OK
------------	-------------	----

(330kΩ) for ~120V, (750kΩ) for ~230V, Pana_FireFlySW x 2-parallel, work properly ~ for JPN. * N/A- lamp w/transformer

2. Regulation Certification

on the way

3.Pallatizing (drawing)

	Length (mm)	Width (mm)	Height (mm)	Weight (g)
giftbox	51	51	67	
Outer carton	285	280	300	
Unit weight with lamp				
Carton weight with full lamps inside				

For example) Package configuration

