



SPECIFICATION FOR APPROVAL



Customer : _____
Products Name : LED Light
Our Model : LUM-DL10H18-12W
Customer model : _____

Approved by :

ECR history

version	issue date	Description of amendment/additional		
A				

1. Specification

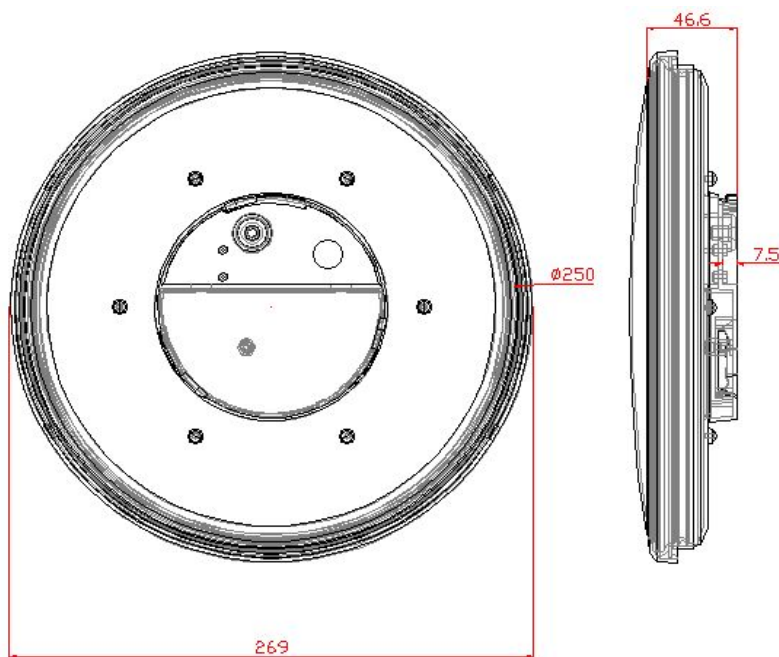
1-1. Environment

	Spec.			
	unit	Typical	min	max
Storage temp.	(degC)	25	-20	60
Operating temp.	(degC)	25	-20	40
Storage humidity	(%RH)	65%	10%	90%
Operating humidity	(%RH)	65%	10%	90%

1-2. Geometry Property

Dimension & Drawing of products

	Spec.			
	unit	Typical	min	max
Diameter	(mm)	269	268	270
Cut-Out	(mm)			
MOL	(mm)	46.6	46.1	47.1
Weight	(g)	530	520	540
Base				



1-3. Electrical Performance

	spec			
	unit	Typical	min	max
Consumption Power	(w)	12	8.80	13.20
Input Voltage	(v)	230	220	240
Input Current	(mA)	60	65	55
Power Factor		0.9	0.9	
Frequency	(Hz)	50/60Hz		
Starting time * for EU	(sec)	0.5		

1-4. LED Chip/Package information LED

LED Vender	REFOND/CEC/NATIONSTAR
model no.	2835
Number of LED per board	84

1-5. Photometric Performance

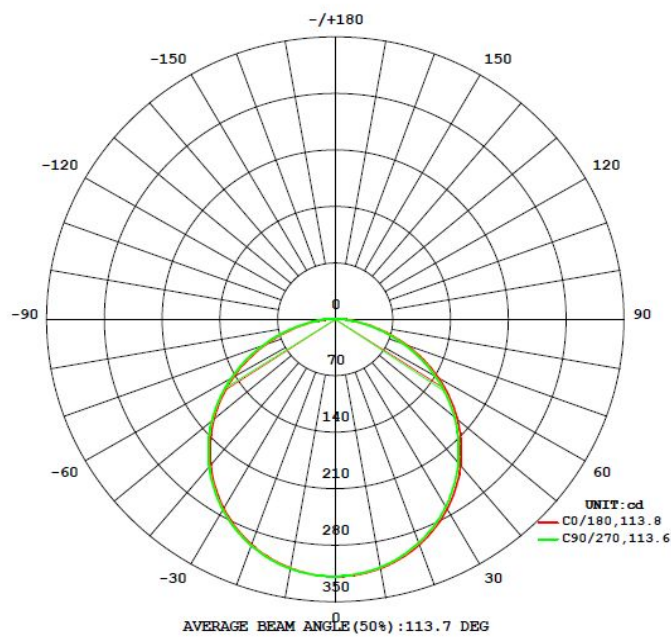
	unit	Spec.			
		Typical			
Color Temp.	(k)	3000	4000	5000	6500
luminous flux (90deg cone) * for EU directional lamp	(lm)	960	1000	1000	1000
total Luminus flux	(lm)	960	1000	1000	1000
CBCP	(cd)				
CRI(Ra)	700	≥80			
Beam Angle	(deg)	100			
Efficiency	(lm/w)	80	83	83	83
Dimming		NO			

Tolerance ± 6 %

1-6. Lifespan

Lifetime(L70) at 25deg	(hours)	40000	(25℃) test
Switching Cycle	(times)	20000	30s on / 60s off

1-7. Light Distribution data / LED's Spectrum wave form



1-8. work in special fixture

enclosed (sealed) fixtures	(OK or N/A)	N/A
thermal-insulation fixtures	(OK or N/A)	N/A

1-9. compatibility for switch with indicator (Firefly switch)

compatible	(OK or N/A)	OK
------------	-------------	----

(330kΩ) for ~120V, (750kΩ) for ~230V, Pana_FireFlySW x 2-parallel, work properly ~ for JPN. * N/A- lamp w/transformer

2. Regulation Certification

On the way.

3.Pallatizing (drawing)

	Length (mm)	Width (mm)	Height (mm)	Weight (g)
giftbox	290	290	80	
Outer carton	315	310	340	
Unit weight with lamp				
Carton weight with full lamps inside				

For example) Package configuration

