



SPECIFICATION FOR APPROVAL



Customer : _____
Products Name : LED Spotlight
Our Model : LUM-GU10L27-6WDIM
Customer model : _____

Approved by :

ECR history

| version | issue date | Description of amendment/additional | | |
|---------|------------|-------------------------------------|--|--|
| A | | | | |
| | | | | |
| | | | | |

1. Specification

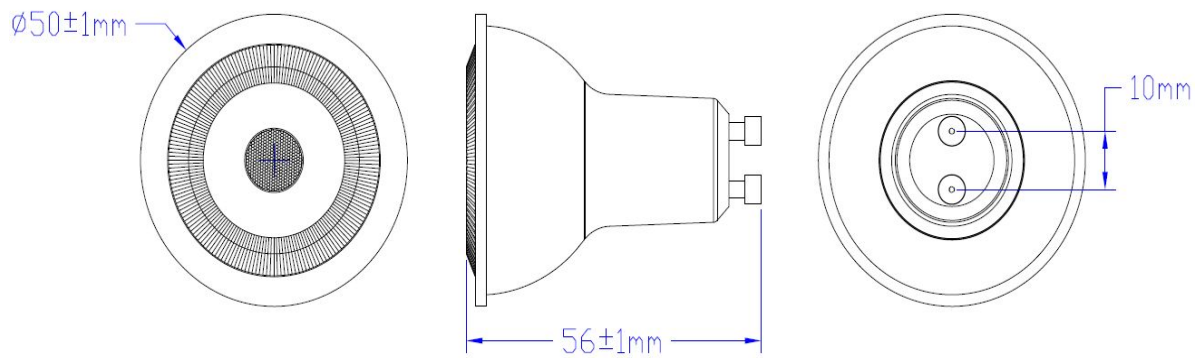
1-1. Environment

| | Spec. | | | |
|--------------------|--------|---------|-----|-----|
| | unit | Typical | min | max |
| Storage temp. | (degC) | 25 | -20 | 60 |
| Operating temp. | (degC) | 25 | -20 | 40 |
| Storage humidity | (%RH) | 65% | 10% | 90% |
| Operating humidity | (%RH) | 65% | 10% | 90% |

1-2. Geometry Property

Dimension & Drawing of products

| | Spec. | | | |
|----------|-------|---------|-----|-----|
| | unit | Typical | min | max |
| Diameter | (mm) | 50 | 49 | 51 |
| Cut-Out | (mm) | | | |
| MOL | (mm) | 56 | 55 | 57 |
| Weight | (g) | 60 | 55 | 65 |
| Base | | GU10 | | |



1-3. Electrical Performance

| | spec | | | |
|------------------------|-------|---------|-----|-----|
| | unit | Typical | min | max |
| Consumption Power | (w) | 6 | 5.4 | 6.6 |
| Input Voltage | (v) | 120 | 100 | 132 |
| Input Current | (mA) | 60 | 55 | 65 |
| Power Factor | | 0.8 | | |
| Frequency | (Hz) | 60 | | |
| Starting time * for EU | (sec) | 0.5 | | |

1-4. LED Chip/Package information LED

| | |
|-------------------------|---------|
| LED Vender | LUMINUS |
| model no. | COB |
| Number of LED per board | 1 |

1-5. Photometric Performance

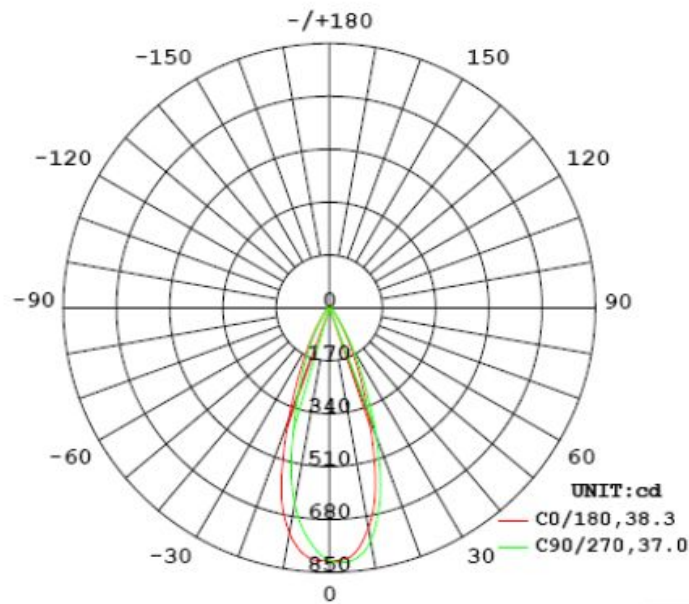
| | unit | Spec. | | | |
|--|--------|---------|------|------|------|
| | | Typical | | | |
| Color Temp. | (k) | 3000 | 4000 | 5000 | 6500 |
| luminous flux (90deg cone) * for EU directional lamp | (lm) | 420 | 440 | 440 | 440 |
| total Luminus flux | (lm) | 420 | 440 | 440 | 440 |
| CBCP | (cd) | 800 | 850 | 850 | 850 |
| CRI(Ra) | 700 | ≥80 | | | |
| Beam Angle | (deg) | 25/40 | | | |
| Efficiency | (lm/w) | 70 | 73 | 73 | 73 |
| Dimming | | YES | | | |

Tolerance ± 6 %

1-6. Lifespan

| | | | |
|------------------------|---------|-------|------------------|
| Lifetime(L70) at 25deg | (hours) | 30000 | @25℃ |
| Switching Cycle | (times) | 15000 | 30s on / 60s off |

1-7. Light Distribution data / LED's Spectrum wave form



1-8. work in special fixture

| | | |
|-----------------------------|-------------|-----|
| enclosed (sealed) fixtures | (OK or N/A) | N/A |
| thermal-insulation fixtures | (OK or N/A) | N/A |

1-9. compatibility for switch with indicator (Firefly switch)

| | | |
|------------|-------------|----|
| compatible | (OK or N/A) | OK |
|------------|-------------|----|

(330kΩ) for ~120V, (750kΩ) for ~230V, Pana_FireFlySW x 2-parallel, work properly ~ for JPN. * NA~ lamp w/transformer

2. Regulation Certification



Jonny Zeng
XIAMEN CANDOUR CO LTD
19F,C&D INTERNATIONAL BUILDING
NO.1699 EAST HUANDAO ROAD, SIMING-DIST
XIAMEN
FUJIAN 361001 CHINA

Date: 2015/07/27
Subscriber: None
PartySite: 520323
File No: E465691
Project No: 4786996796
PD No: 15034994
Type: R
PO Number:

Subject: **Procedure And/Or Report Material**

The following material resulting from the investigation under the above numbers is enclosed.

| <u>Issue</u> | | | | <u>Revised Date</u> |
|--------------|------------|------------|--------------------------|---------------------|
| <u>Date</u> | <u>Vol</u> | <u>Sec</u> | <u>Pages</u> | |
| | | 1 | Revised Index Page(s) 1 | 2015/07/24 |
| 2015/07/24 | 1 | 3 | Chart of Compliance | |
| 2015/07/24 | 1 | 3 | Add New Proc/Report Sect | |

Purchase Order: Zeng, Jonny(07/01/2015)

Please file revised pages and illustrations in place of material of like identity. New material should be filed in its proper numerical order.

NOTE: Follow-Up Service Procedure revisions DO NOT include Cover Pages, Test Records and Conclusion Pages. Report revisions DO NOT include Authorization Pages, Indices, Section General Pages and Appendixes.

Please review this material and report any inaccuracies to UL's Customer Service Professionals. Contact information for all of UL's global offices can be found at <http://www.ul.com/global/eng/pages/corporate/contactus>.

If you'd like to receive updated materials FASTER, UL offers electronic access and/or delivery of this material. For more details, contact UL's Customer Service Professionals as shown above.

This material is provided on behalf of UL LLC(UL) or any authorized licensee of UL.

NMT File

3.Pallatizing (drawing)

| | Length (mm) | Width (mm) | Height (mm) | Weight (g) |
|--------------------------------------|----------------|---------------|----------------|---------------|
| giftbox | 51 | 51 | 67 | |
| Outer carton | 285 | 280 | 300 | |
| Unit weight with lamp | | | | |
| Carton weight with full lamps inside | | | | |

For example) Package configuration

