

SPECIFICATION FOR APPROVAL



Customer : _____
Products Name : ceiling Spotlight
Our Model : LUM-CS2P5H06-5W/5WDIM
Customer model : _____

Approved by :

ECR history

version	issue date	Description of amendment/additional		
A				

1. Specification

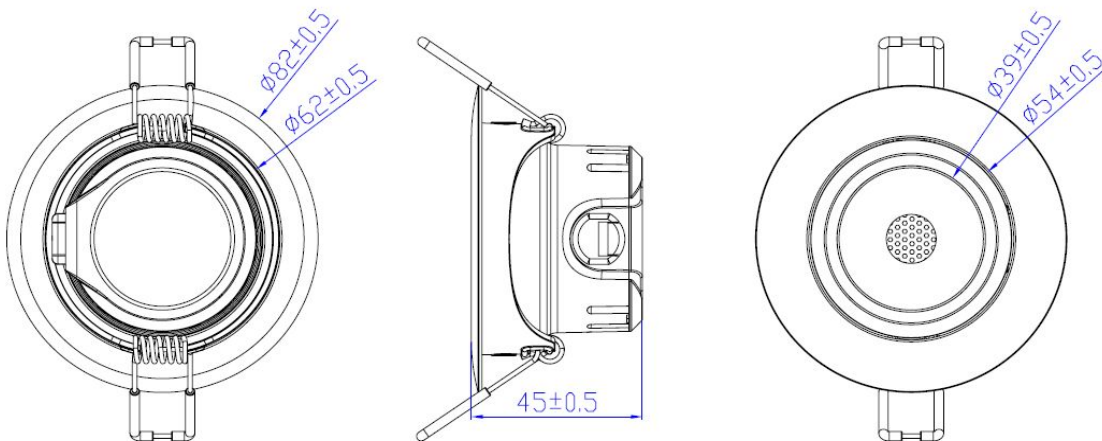
1-1. Environment

	unit	Spec.		
		Typical	min	max
Storage temp.	(degC)	25	-20	60
Operating temp.	(degC)	25	-20	40
Storage humidity	(%RH)	65%	10%	90%
Operating humidity	(%RH)	65%	10%	90%

1-2. Geometry Property

Dimension & Drawing of products

	unit	Spec.		
		Typical	min	max
Diameter	(mm)	82	81.5	82.5
Cut-Out	(mm)	73	70	76
MOL	(mm)	45	44.5	45.5
Weight	(g)	80	75	85
Base				
Product Color		white/silvery		



1-3. Electrical Performance

	unit	spec		
		Typical	min	max
Consumption Power	(w)	5	4.5	5.5
Input Voltage	(v)	230	220	240
Input Current	(mA)	26	22	30
Power Factor		0.7		
Frequency	(Hz)	50/60		
Starting time * for EU	(sec)	0.5		

1-4. LED Chip/Package information LED

LED Vender	OSRAM
model no.	5050
Number of LED per board	1

1-5. Photometric Performance

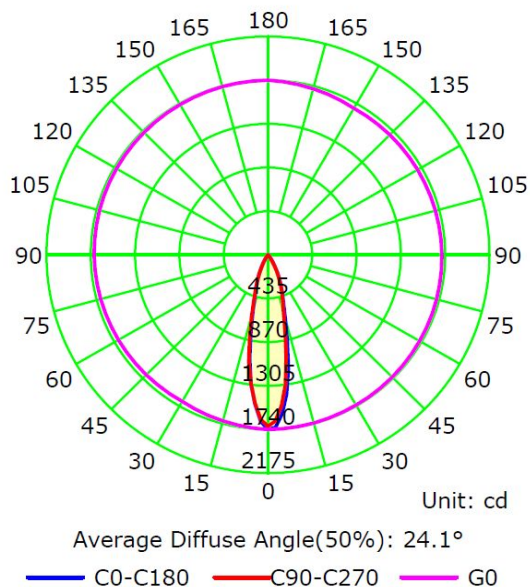
	unit	Spec.		
		Typical		
Color Temp.	(k)	3000	4000	5000
luminous flux (90deg cone) * for EU directional lam	(lm)			
total Luminus flux	(lm)	430	450	450
CBCP	(cd)	1780	1780	1780
CRI(Ra)	700	≥80		
Beam Angle	(deg)	24		
Efficiency	(lm/w)	86	90	90
Dimming		YES		

Tolerance ± 6%

1-6. Lifespan

Lifetime(L70) at 25deg	(hours)	40000	@25℃
Switching Cycle	(times)	20000	30s on / 60s off

1-7. Light Distribution data / LED's Spectrum wave form



1-8. work in special fixture

enclosed (sealed) fixtures	(OK or N/A)	N/A
thermal-insulation fixtures	(OK or N/A)	N/A

1-9. compatibility for switch with indicator (Firefly switch)

compatible	(OK or N/A)	OK
------------	-------------	----

(330kΩ) for ~120V, (750kΩ) for ~230V, Pana_FireFlySW x 2-parallel, work properly ~ for JPN. * N/A- lamp wtransformer

2. Regulation Certification

On the way.

3.Pallatizing (drawing)

	Length (mm)	Width (mm)	Height (mm)	Weight (g)
giftbox	575	300	275	
Outer carton	1140	760	1032	
Unit weight with lamp				
Carton weight with full lamps inside				

For example) Package configuration

