



## SPECIFICATION FOR APPROVAL



**Customer :** \_\_\_\_\_  
**Products Name :** LED Spotlight  
**Our Model :** LUM-GU10L27-8WDIM  
**Customer model :** \_\_\_\_\_

**Approved by :**

ECR history

version	issue date	Description of amendment/additional
A		

## 1. Specification

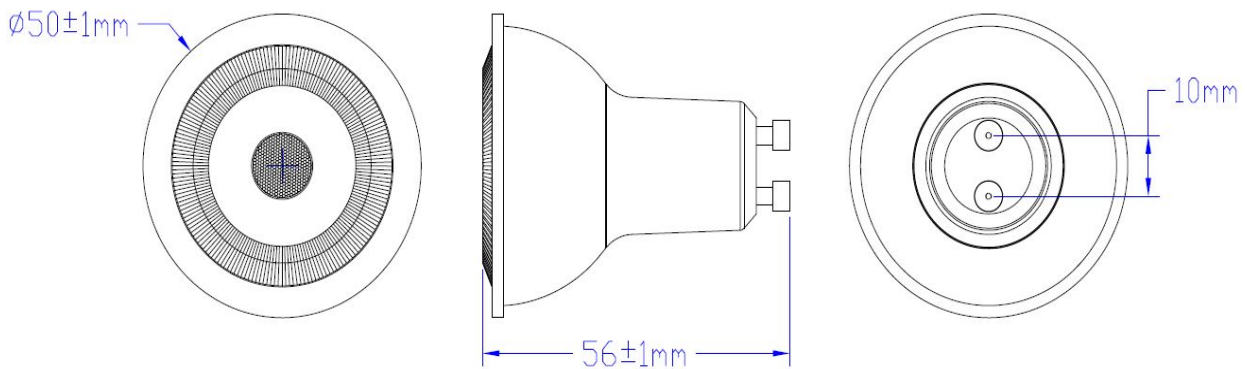
### 1-1. Environment

	Spec.			
	unit	Typical	min	max
Storage temp.	(degC)	25	-20	60
Operating temp.	(degC)	25	-20	40
Storage humidity	(%RH)	65%	10%	90%
Operating humidity	(%RH)	65%	10%	90%

### 1-2. Geometry Property

#### Dimension & Drawing of products

	Spec.			
	unit	Typical	min	max
Diameter	(mm)	50	49	51
Cut-Out	(mm)			
MOL	(mm)	56	55	57
Weight	(g)	60	55	65
Base		GU10		



### 1-3. Electrical Performance

	spec			
	unit	Typical	min	max
Consumption Power	(w)	8	7.2	8.8
Input Voltage	(v)	120	100	132
Input Current	(mA)	81	75	86
Power Factor		0.8		
Frequency	(Hz)	60		
Starting time * for EU	(sec)	0.5		

### 1-4. LED Chip/Package information LED

LED Vender	LUMINUS
model no.	COB
Number of LED per board	1

1-5. Photometric Performance

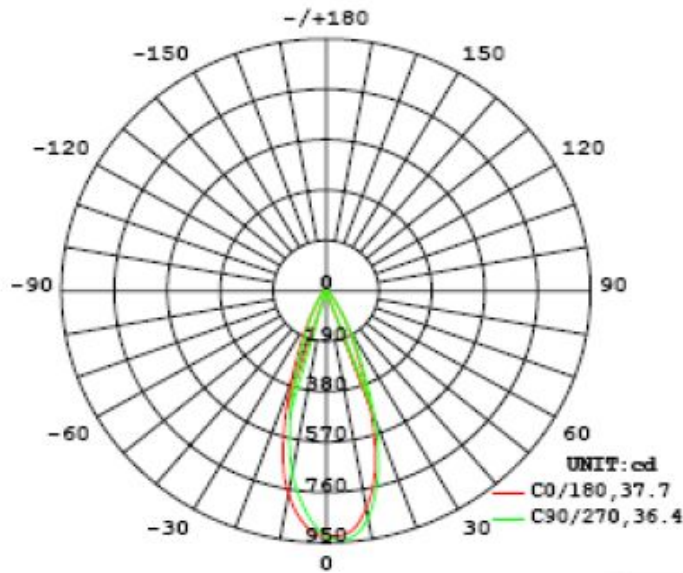
	unit	Spec.			
		Typical			
Color Temp.	(k)	3000	4000	5000	6500
luminous flux (90deg cone) * for EU directional lamp	(lm)				
total Luminous flux	(lm)	560	580	580	580
CBCP	(cd)	950	1000	1000	1000
CRI(Ra)	700	≥80			
Beam Angle	(deg)	25/40			
Efficiency	(lm/w)	70	73	73	73
Dimming		YES			

Tolerance ± 6 %

1-6. Lifespan

Lifetime(L70) at 25deg	(hours)	30000	@25°C
Switching Cycle	(times)	15000	30s on / 60s off

1-7. Light Distribution data / LED's Spectrum wave form



1-8. work in special fixture

enclosed (sealed) fixtures	(OK or N/A)	N/A
thermal-insulation fixtures	(OK or N/A)	N/A

1-9. compatibility for switch with indicator (Firefly switch)

compatible	(OK or N/A)	OK
------------	-------------	----

(330kΩ) for ~120V, (750kΩ) for ~230V, Pana\_FireFlySW x 2-parallel, work properly ~ for JPN. \* N/A- lamp w/transformer

2. Regulation Certification



Jonny Zeng  
XIAMEN CANDOUR CO LTD  
19F,C&D INTERNATIONAL BUILDING  
NO.1699 EAST HUANDAO ROAD, SIMING-DIST  
XIAMEN  
FUJIAN 361001 CHINA

Date: 2015/07/27  
Subscriber: None  
PartySite: 520323  
File No: E465691  
Project No: 4786996796  
PD No: 15034994  
Type: R  
PO Number:

Subject: **Procedure And/Or Report Material**

The following material resulting from the investigation under the above numbers is enclosed.

Issue				Revised Date
Date	Vol	Sec	Pages	
		1	Revised Index Page(s) 1	2015/07/24
2015/07/24	1	3	Chart of Compliance	
2015/07/24	1	3	Add New Proc/Report Sect	

Purchase Order: Zeng, Jonny (07/01/2015)

Please file revised pages and illustrations in place of material of like identity. New material should be filed in its proper numerical order.

NOTE: Follow-Up Service Procedure revisions DO NOT include Cover Pages, Test Records and Conclusion Pages. Report revisions DO NOT include Authorization Pages, Indices, Section General Pages and Appendixes.

Please review this material and report any inaccuracies to UL's Customer Service Professionals. Contact information for all of UL's global offices can be found at <http://www.ul.com/global/eng/pages/corporate/contactus>.

If you'd like to receive updated materials FASTER, UL offers electronic access and/or delivery of this material. For more details, contact UL's Customer Service Professionals as shown above.

This material is provided on behalf of UL LLC(UL) or any authorized licensee of UL.

NWT File

3.Pallatizing (drawing)

	Length (mm)	Width (mm)	Height (mm)	Weight (g)
giftbox	51	51	67	
Outer carton	285	280	300	
Unit weight with lamp				
Carton weight with full lamps inside				

For example ) Package configuration

