



SPECIFICATION FOR APPROVAL



Customer : _____
Products Name : DOWNLIGHT
Our Model : LUM-DL6H16-18W/18WDIM
Customer model : _____

Approved by :

ECR history

version	issue date	Description of amendment/additional
A		

1. Specification

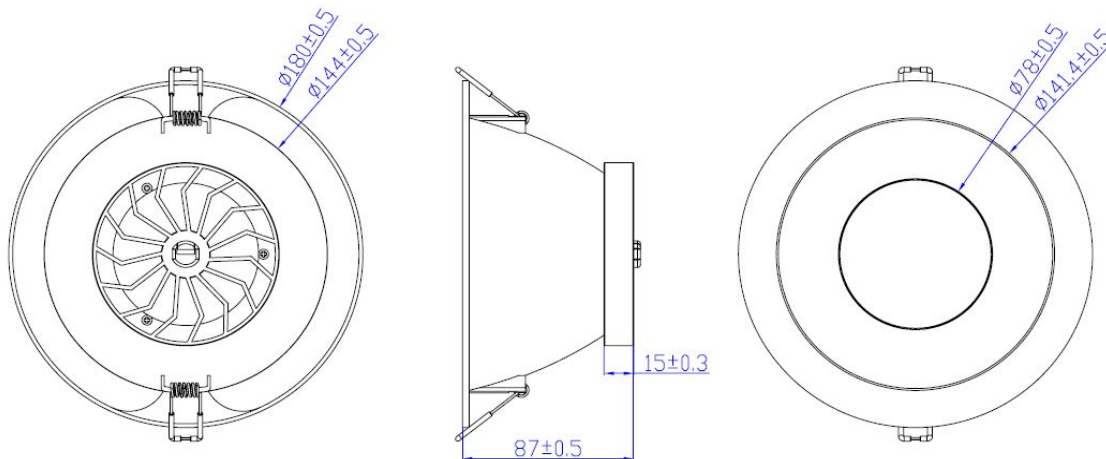
1-1. Environment

	Spec.			
	unit	Typical	min	max
Storage temp.	(degC)	25	-20	60
Operating temp.	(degC)	25	-20	40
Storage humidity	(%RH)	65%	10%	90%
Operating humidity	(%RH)	65%	10%	90%

1-2. Geometry Property

Dimension & Drawing of products

	Spec.			
	unit	Typical	min	max
Diameter	(mm)	180	179.5	180.5
Cut-Out	(mm)	155	150	160
MOL	(mm)	87	86.5	87.5
Weight	(g)	390	380	400
Base		/		
Product Color		white/silvery		



1-3. Electrical Performance

	spec			
	unit	Typical	min	max
Consumption Power	(w)	18	16.2	19.8
Input Voltage	(v)	230	220	240
Input Current	(mA)	85	80	90
Power Factor		0.9		
Frequency	(Hz)	50/60		
Starting time * for EU	(sec)	0.5		

1-4. LED Chip/Package information LED

LED Vender	REFOND/CEC/NATIONSTAR		
model no.	2835		
Number of LED per board	24		

1-5. Photometric Performance

	unit	Spec.			
		Typical			
Color Temp.	(k)	3000	4000	5000	6500
luminous flux (90deg cone) * for EU directional lamp	(lm)	/	/	/	/
total Luminus flux	(lm)	1400	1450	1450	1450
CBCP	(cd)	/	/	/	/
CRI(Ra)	700	≥80			
Beam Angle	(deg)	100			
Efficiency	(lm/w)	78	81	81	81
UGR		<19			
Dimming		YES			

Tolerance ± 6%

1-6. Lifespan

Lifetime(L70) at 25deg	(hours)	40000	@25℃
Switching Cycle	(times)	20000	30s on / 60s off

1-7. Light Distribution data / LED's Spectrum wave form

TBD

1-8. work in special fixture

enclosed (sealed) fixtures	(OK or N/A)	N/A
thermal-insulation fixtures	(OK or N/A)	N/A

1-9. compatibility for switch with indicator (Firefly switch)

compatible	(OK or N/A)	OK
------------	-------------	----

(330kΩ) for ~120V, (750kΩ) for ~230V, Pana_FireFlySW x 2-parallel, work properly ~ for JPN. * N/A- lamp w/transformer

2. Regulation Certification

On the way.

3.Pallatizing (drawing)

	Length (mm)	Width (mm)	Height (mm)	Weight (g)
giftbox	220	210	100	
Outer carton	465	440	420	
Unit weight with lamp				
Carton weight with full lamps inside				

(For example) Package configuration

