



## SPECIFICATION FOR APPROVAL



Customer : \_\_\_\_\_  
Products Name : LED R80  
Our Model : LUM-R80H01-9W  
Customer model : \_\_\_\_\_

Approved by : \_\_\_\_\_

### ECR history

version	issue date	Description of amendment/additional		
A				

## 1. Specification

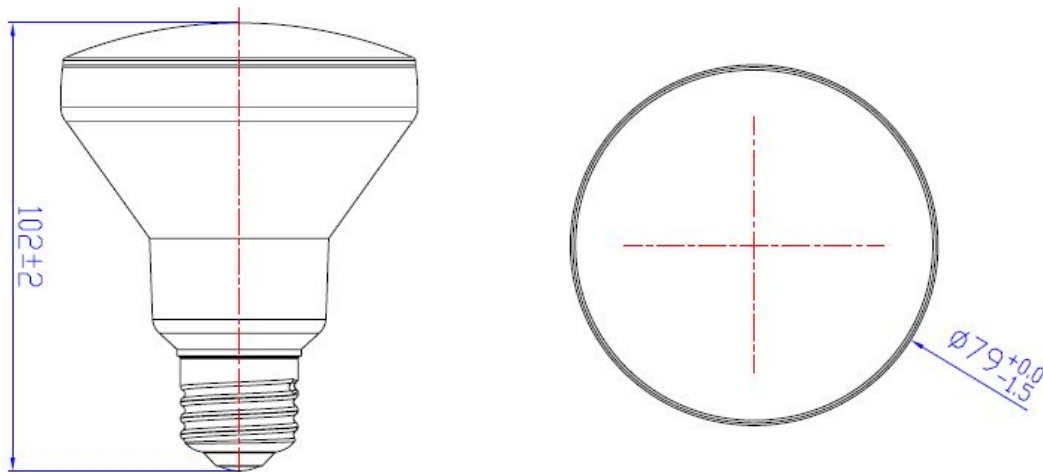
### 1-1. Environment

	Spec.			
	unit	Typical	min	max
Storage temp.	(degC)	25	-20	60
Operating temp.	(degC)	25	-20	40
Storage humidity	(%RH)	65%	10%	90%
Operating humidity	(%RH)	65%	10%	90%

### 1-2. Geometry Property

#### Dimension & Drawing of products

	Spec.			
	unit	Typical	min	max
Diameter	(mm)	79	77.5	79
Cut-Out	(mm)			
MOL	(mm)	102	100	104
Weight	(g)	110	100	120
Base			E27	



### 1-3. Electrical Performance

	spec			
	unit	Typical	min	max
Consumption Power	(w)	9	8.1	9.9
Input Voltage	(v)	230	220	240
Input Current	(mA)	44	40	48
Power Factor			0.9	
Frequency	(Hz)		50/60	
Starting time * for EU	(sec)		0.5	

1-4. LED Chip/Package information LED

LED Vender	REFOND/CEC/NATIONSTAR
model no.	2835
Number of LED per board	24

1-5. Photometric Performance

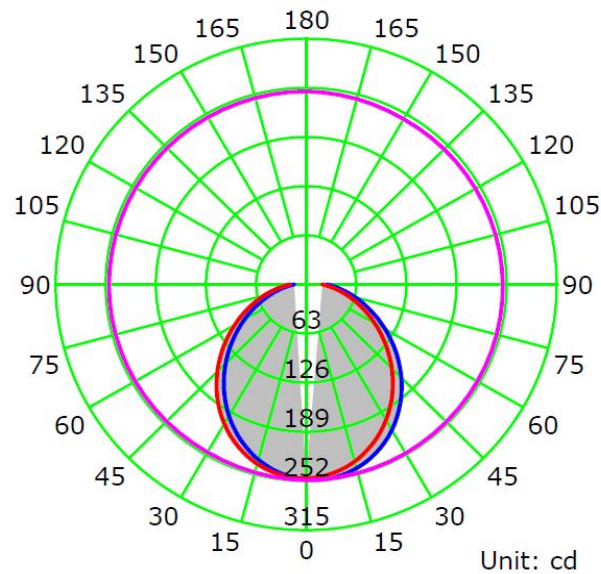
	unit	Spec.			
		Typical			
Color Temp.	(k)	3000	4000	5000	6500
luminous flux (90deg cone) * for EU directional lamp	(lm)	720	750	750	750
total Luminus flux	(lm)	720	750	750	750
CBCP	(cd)	250	280	280	280
CRI(Ra)	700	≥80			
Beam Angle	(deg)	100			
Efficiency	(lm/w)	80	83	83	83
Dimming		NO			

Tolerance ± 6 %

1-6. Lifespan

Lifetime(L70) at 25deg	(hours)	40000	@25℃
Switching Cycle	(times)	20000	30s on / 60s off

1-7. Light Distribution data / LED's Spectrum wave form



1-8. work in special fixture

enclosed (sealed) fixtures	(OK or N/A)	N/A
thermal-insulation fixtures	(OK or N/A)	N/A

1-9. compatibility for switch with indicator (Firefly switch)

compatible	(OK or N/A)	OK
------------	-------------	----

(330kΩ) for ~120V, (750kΩ) for ~230V, Pana\_FireFlySW x 2-parallel, work properly ~ for JPN. \* N/A- lamp w/transformer

2. Regulation Certification

On the way.

3.Pallatizing (drawing)

	Length (mm)	Width (mm)	Height (mm)	Weight (g)
giftbox	81	81	115	
Outer carton	435	260	380	
Unit weight with lamp				
Carton weight with full lamps inside				

(For example ) Package configuration

