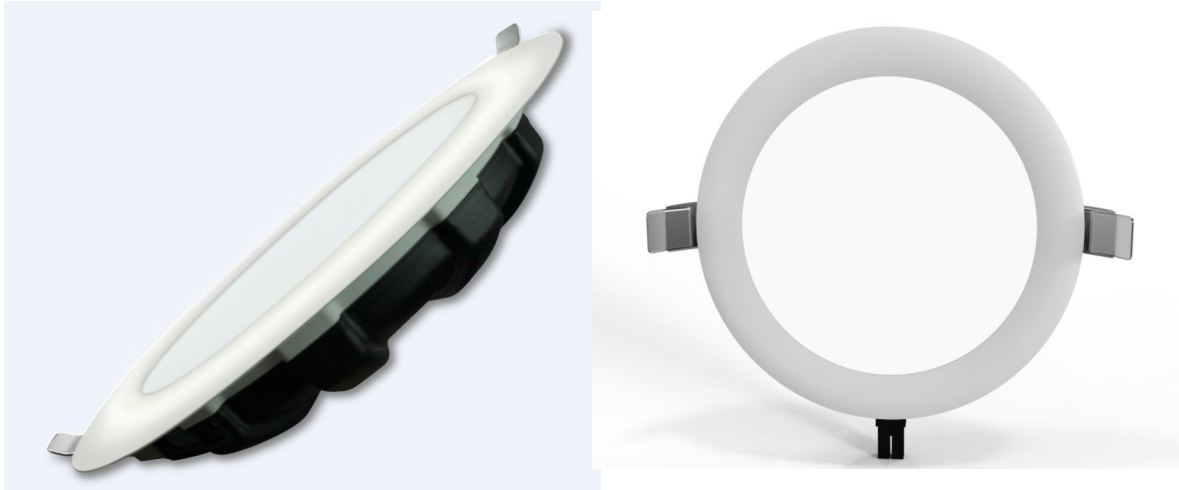




SPECIFICATION FOR APPROVAL



Customer : _____
Products Name : LED VEER DOWNLIGHT
Our Model : LUM-DL8H07-30WDIM
Customer model : _____

Approved by :

--

ECR history

version	issue date	Description of amendment/additional
A		

1. Specification

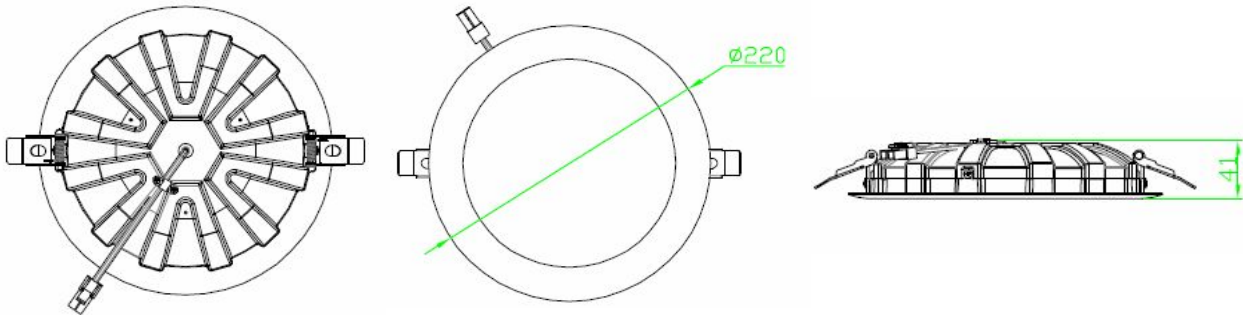
1-1. Environment

	Spec.			
	unit	Typical	min	max
Storage temp.	(degC)	25	-20	60
Operating temp.	(degC)	25	-20	40
Storage humidity	(%RH)	65%	10%	90%
Operating humidity	(%RH)	65%	10%	90%

1-2. Geometry Property

Dimension & Drawing of products

	Spec.			
	unit	Typical	min	max
Diameter	(mm)	220	218	222
Cut-Out	(mm)	205	200	210
MOL	(mm)	39	38.5	39.5
Weight	(g)	620	590	650
Base		/		



1-3. Electrical Performance

	spec			
	unit	Typical	min	max
Consumption Power	(w)	30	27.0	33.0
Input Voltage	(v)	230	220	240
Input Current	(mA)	125	120	130
Power Factor		0.9		
Frequency	(Hz)	50/60		
Starting time * for EU	(sec)	0.5		

1-4. LED Chip/Package information LED

LED Vender	REFOND/CEC/NATIONSTAR
model no.	2835
Number of LED per board	72

1-5. Photometric Performance

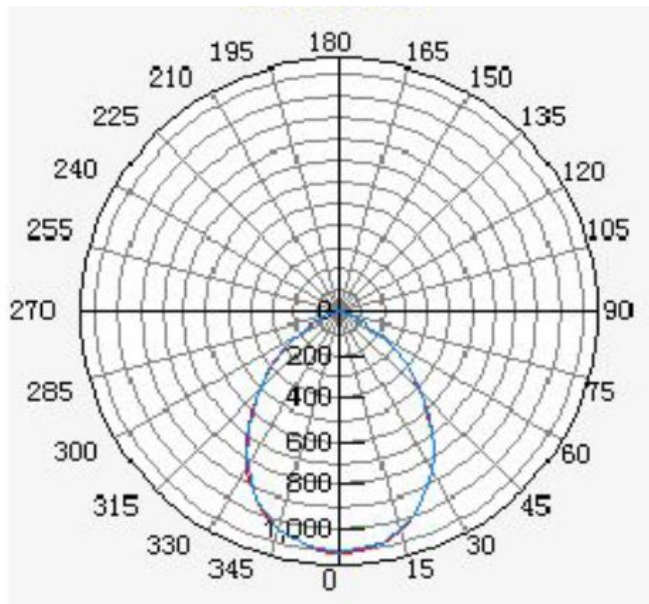
	unit	Spec.			
		Typical			
Color Temp.	(k)	3000	4000	5000	6500
luminous flux (90deg cone) * for EU directional lamp	(lm)	2250	2400	2400	2400
total Luminus flux	(lm)	2250	2400	2400	2400
CBCP	(cd)	1200	1300	1300	1300
CRI(Ra)	700	≥80			
Beam Angle	(deg)	100			
Efficiency	(lm/w)	75	80	80	80
Dimming		YES			

Tolerance ± 6%

1-6. Lifespan

Lifetime(L70) at 25deg	(hours)	40000	@25°C
Switching Cycle	(times)	20000	30s on / 60s off

1-7. Light Distribution data / LED's Spectrum wave form



1-8. work in special fixture

enclosed (sealed) fixtures	(OK or N/A)	N/A
thermal-insulation fixtures	(OK or N/A)	N/A

1-9. compatibility for switch with indicator (Firefly switch)

compatible	(OK or N/A)	OK
------------	-------------	----

(330kΩ) for ~120V, (750kΩ) for ~230V, Pana_FireFlySW x 2-parallel, work properly ~ for JPN. * NA- lamp w/transformer

2. Regulation Certification

On the way.

3.Pallatizing (drawing)

	Length (mm)	Width (mm)	Height (mm)	Weight (g)
giftbox	300	255	57	
Outer carton	620	370	535	
Unit weight with lamp				
Carton weight with full lamps inside				

(For example) Package configuration

