



SPECIFICATION FOR APPROVAL



Customer : _____
Products Name : LED PL Light
Our Model : LUM-PL40H03-7W
Customer model : _____

Approved by :

--

ECR history

version	issue date	Description of amendment/additional		
A				

1. Specification

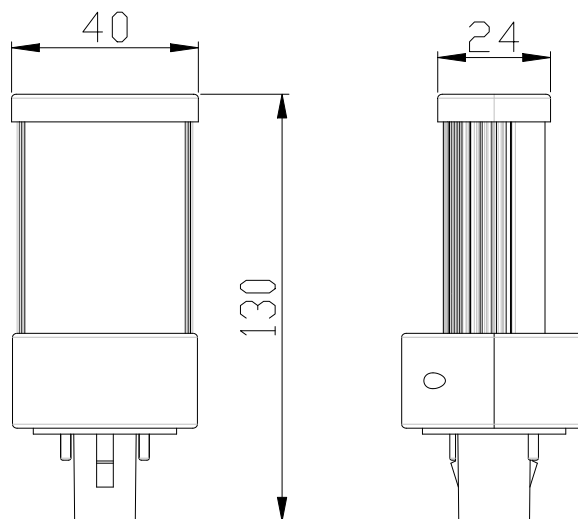
1-1. Environment

	Spec.			
	unit	Typical	min	max
Storage temp.	(degC)	25	-20	60
Operating temp.	(degC)	25	-20	40
Storage humidity	(%RH)	65%	10%	90%
Operating humidity	(%RH)	65%	10%	90%

1-2. Geometry Property

Dimension & Drawing of products

	Spec.			
	unit	Typical	min	max
Diameter	(mm)	40	39	41
Cut-Out	(mm)			
MOL	(mm)	130	129	131
Weight	(g)	60	55	65
Base		G24/E27		
Product Color		white/silvery		



1-3. Electrical Performance

	spec			
	unit	Typical	min	max
Consumption Power	(w)	7	6.3	7.7
Input Voltage	(v)	230	220	240
Input Current	(mA)	40	35	45
Power Factor		0.9		
Frequency	(Hz)	50/60		
Starting time * for EU	(sec)	0.5		

1-4. LED Chip/Package information LED

LED Vender	Lextar/SAMSUNG
model no.	5630
Number of LED per board	14

1-5. Photometric Performance

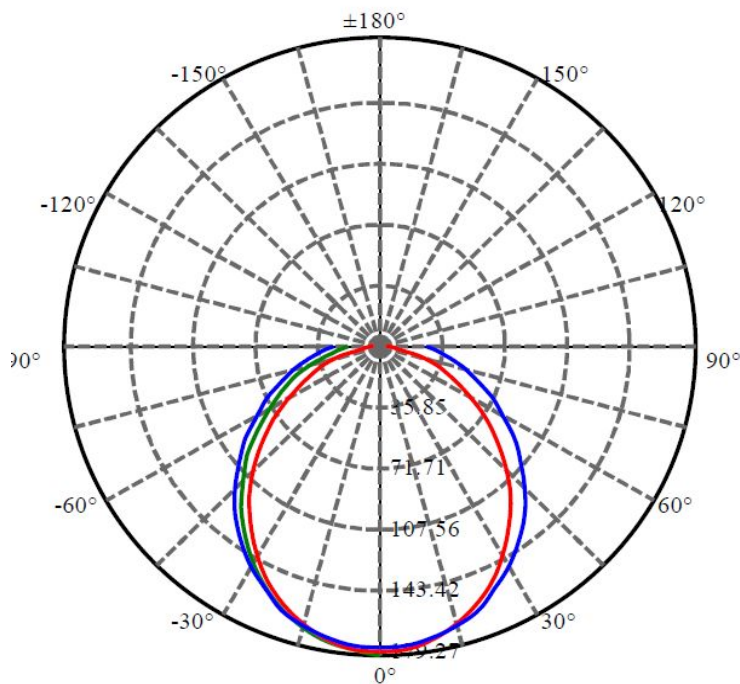
	unit	Spec.			
		Typical			
Color Temp.	(k)	3000	4000	5000	5000
luminous flux (90deg cone) * for EU directional lamp	(lm)	560	650	650	650
total Luminus flux	(lm)	560	650	650	650
CBCP	(cd)				
CRI(Ra)	700	≥80			
Beam Angle	(deg)	100			
Efficiency	(lm/w)	80	93	93	93
Dimming		NO			

Tolerance ± 6%

1-6. Lifespan

Lifetime(L70) at 25deg	(hours)	40000	@25°C
Switching Cycle	(times)	20000	30s on / 60s off

1-7. Light Distribution data / LED's Spectrum wave form



1-8. work in special fixture

enclosed (sealed) fixtures	(OK or N/A)	N/A
thermal-insulation fixtures	(OK or N/A)	N/A

1-9. compatibility for switch with indicator (Firefly switch)

compatible	(OK or N/A)	OK
------------	-------------	----

(330kΩ) for ~120V, (750kΩ) for ~230V, Pana_FireFlySW x 2-parallel, work properly ~ for JPN. * N/A- lamp w/transformer

2. Regulation Certification

Dongguan EMTEK Co., Ltd.
No.281, Guanlai Road, Nancheng District, Dongguan, Guangdong, China
www.emtek.com.cn Tel:+86-769-2280 7078 Fax:+86-769-2280 7079

EMTEK
Access to the World

Certificate of Conformity

NO.: ED130607068E

The following products have been tested by us with the listed standards and found in conformity with the council EMC directive 2004/108/EC.It is possible to use CE marking to demonstrate the conformity with this EMC Directive.

Applicant : XIAMEN LUMIATECH LIGHTING CO., LTD.

Address : No.99 Huizuo Road, Xin Yang Industrial Zone, Hai Cang District, Xiamen City

Manufacturer : XIAMEN LUMIATECH LIGHTING CO., LTD.

Address : No.99 Huizuo Road, Xin Yang Industrial Zone, Hai Cang District, Xiamen City

EUT : PL lamp

Trade Mark : N/A

M/N : LUM-PL40H03-5W, LUM-PL40H03-7W, LUM-PL40H03-9W

Test Standards : EN55015: 2006+A1: 2007+A2: 2009
EN61000-3-2: 2006+A1: 2009+A2: 2009
EN61000-3-3: 2008
EN61547: 2009

CE


(Manager)
August 02, 2013



The certificate is based on a single evaluation of one sample of above-mentioned products. It does not imply an assessment of the whole production and does not permit the use of the test lab. logo.

2. Regulation Certification

	
<h3>Certificate of Conformity</h3> <p>NO.: ED130607068S</p>	
<p>The following product has been tested by us with the listed standards and found in conformity with the council LVD directive 2006/95/EC. It is possible to use CE marking to demonstrate the conformity with this LVD Directive.</p>	
Applicant	: XIAMEN LUMIATECH LIGHTING CO., LTD.
Address	: No. 99 Huizuo Raod, Xin Yang Industrial Zone, Hai Cang District, Xiamen City
Manufacturer	: XIAMEN LUMIATECH LIGHTING CO., LTD.
Address	: No. 99 Huizuo Raod, Xin Yang Industrial Zone, Hai Cang District, Xiamen City
Trade Mark	: N/A
EUT	: PL lamp
M/N	: LUM-PL40H03-5W, LUM-PL40H03-7W, LUM-PL40H03-9W.
Technical Data	: 170-250Vac, 50/60Hz, 80mA, G24. For model LUM-PL40H03-5W: 5W; For model LUM-PL40H03-7W: 7W; For model LUM-PL40H03-9W: 9.5W.
Test Standards	: EN 60968:1990 + A1:1993 + A2:1999 EN 62031:2008
	 <p>(Manager) July 29, 2013</p>
<p>The certificate is based on a single evaluation of one sample of above-mentioned products. It does not imply an assessment of the whole production and does not permit the use of the test lab. logo.</p>	

3.Pallatizing (drawing)

	Length (mm)	Width (mm)	Height (mm)	Weight (g)
giftbox	43	43	135	
Outer carton	480	243	308	
Unit weight with lamp				
Carton weight with full lamps inside				

For example) Package configuration

