



## SPECIFICATION FOR APPROVAL



Customer : \_\_\_\_\_  
Products Name : **LED Spotlight GU10**  
Our Model : **LUM-GU10H21-6W/6WDIM**  
Customer model : \_\_\_\_\_

Approved by :

### ECR history

version	issue date	Description of amendment/additional
A		

## 1. Specification

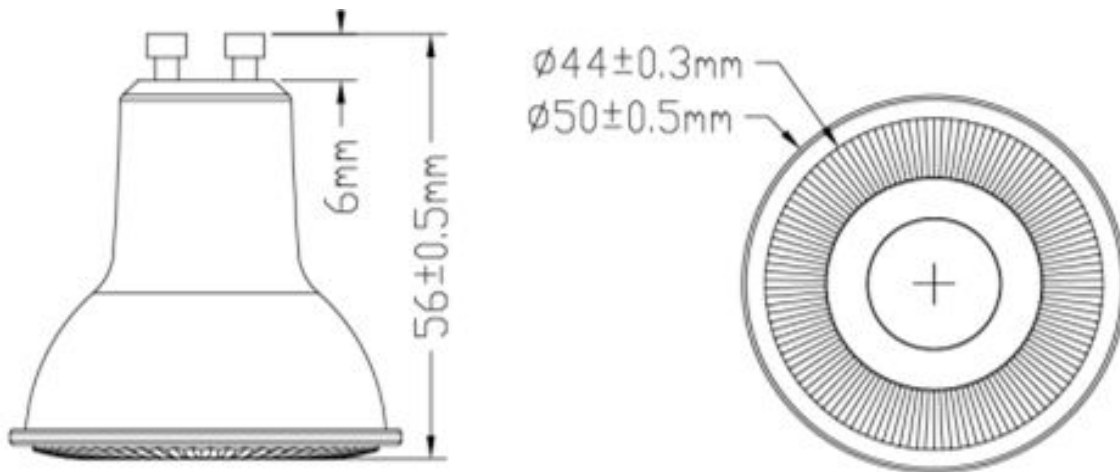
### 1-1. Environment

	Spec.			
	unit	Typical	min	max
Storage temp.	(degC)	25	-20	60
Operating temp.	(degC)	25	-20	40
Storage humidity	(%RH)	65%	10%	90%
Operating humidity	(%RH)	65%	10%	90%

### 1-2. Geometry Property

#### Dimension & Drawing of products

	Spec.			
	unit	Typical	min	max
Diameter	(mm)	50	49.5	50.5
Cut-Out	(mm)			
MOL	(mm)	56	55.5	56.5
Weight	(g)	60	55	65
Base		GU10		



### 1-3. Electrical Performance

	spec			
	unit	Typical	min	max
Consumption Power	(w)	6	5.4	6.6
Input Voltage	(v)	230	220	240
Input Current	(mA)	33	30	36
Power Factor		0.7	0.6	
Frequency	(Hz)	50/60		
Starting time * for EU	(sec)	0.5		

1-4. LED Chip/Package information LED

LED Vender	LUMINUS
model no.	COB
Number of LED per board	1

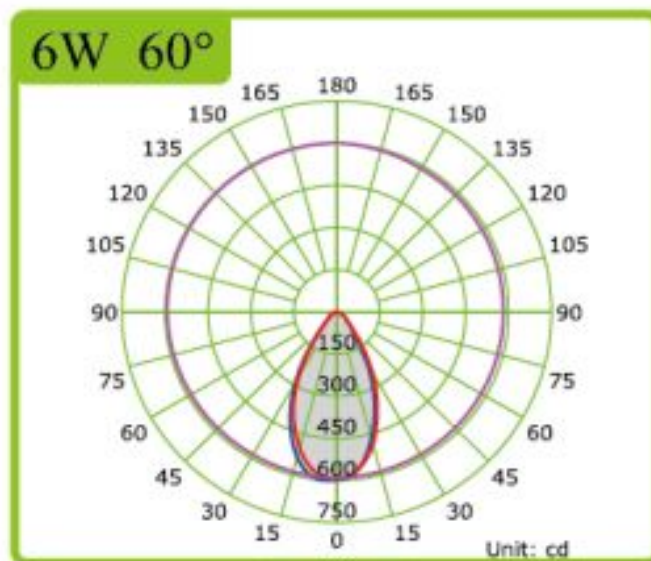
1-5. Photometric Performance

	unit	Spec.		
		3000	4000	5000
Color Temp.	(k)	3000	4000	5000
luminous flux (90deg cone) * for EU directional lamp	(lm)	530	580	580
total Luminus flux	(lm)	530	580	580
CBCP	(cd)	600	650	650
CRI(Ra)	700	≥80		
Beam Angle	(deg)	60		
Efficiency	(lm/w)	88	97	97
Dimming		YES		
Tolerance ± 6%				

1-6. Lifespan

Lifetime(L70) at 25deg	(hours)	30000	@25°C
Switching Cycle	(times)	15000	30s on / 60s off

1-7. Light Distribution data / LED's Spectrum wave form



1-8. work in special fixture


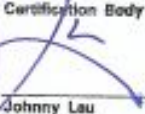
enclosed (sealed) fixtures	(OK or N/A)	N/A
thermal-insulation fixtures	(OK or N/A)	N/A

1-9. compatibility for switch with indicator (Firefly switch)

compatible	(OK or N/A)	OK
------------	-------------	----

(330kΩ) for ~120V, (750kΩ) for ~230V, Pana\_FireFlySW x 2-parallel, work properly ~ for JPN. \* NA- lamp w/transformer

2. Regulation Certification

<b>C E R T I F I C A T E</b> of Conformity EC Council Directive 2004/108/EC Electromagnetic Compatibility		
Registration No.:	AE 50303297 0001	
Report No.:	17045896 001	
Holder:	Xiamen Lumiatech Lighting Co., Ltd. No.99 Huizuo Road Xin Yang Industrial Zone Hai Cang District, Xiamen City P.R. China	
Product:	LED-Lamp (Minisun V2.0/V3.0)	
Identification:	Type Designation: LUM-GUI0H18-6WDIM LUM-GUI0H18-8WDIM LUM-GUI0H21-6WDIM LUM-GUI0H21-8WDIM LUM-GUI0H18-6W LUM-GUI0H18-8W LUM-GUI0H21-6W LUM-GUI0H21-8W Serial No. : n.a. Remark: Refer to test report 17045896 001 for details.	
Tested acc. to:	EN 55015:2013 EN 62000-3-2:2006+A1+A2 EN 61000-3-3:2013 EN 61547:2009	
<p>This certificate of conformity is based on an evaluation of a sample of the above mentioned product. Technical Report and documentation are at the Licence Holder's disposal. This is to certify that the tested sample is in conformity with all provisions of Annex I of Council Directive 2004/108/EC. This certificate does not imply assessment of the production of the product and does not permit the use of a TÜV Rheinland mark of conformity. The holder of the certificate is authorized to use this certificate in connection with the EC declaration of conformity according to the a.m. Directive.</p>		
Date	09.03.2015	 Certification Body  Johnny Lau
TÜV Rheinland LGA Products GmbH - Tillystraße 2 - 90431 Nürnberg		
CE The CE marking may only be used if all relevant and effective EC Directives are complied with. CE		

3.Pallatizing (drawing)

	Length (mm)	Width (mm)	Height (mm)	Weight (g)
giftbox	285	280	300	
Outer carton	1140	760	1024	
Unit weight with lamp				
Carton weight with full lamps inside				

(For example ) Package configuration

