

SPECIFICATION FOR APPROVAL



Customer : _____
Products Name : GALLOP DOWNLIGHT
Our Model : LUM-DL4H08-10WDIM
Customer model : _____

Approved by :

ECR history

version	issue date	Description of amendment/additional		
A				

1. Specification

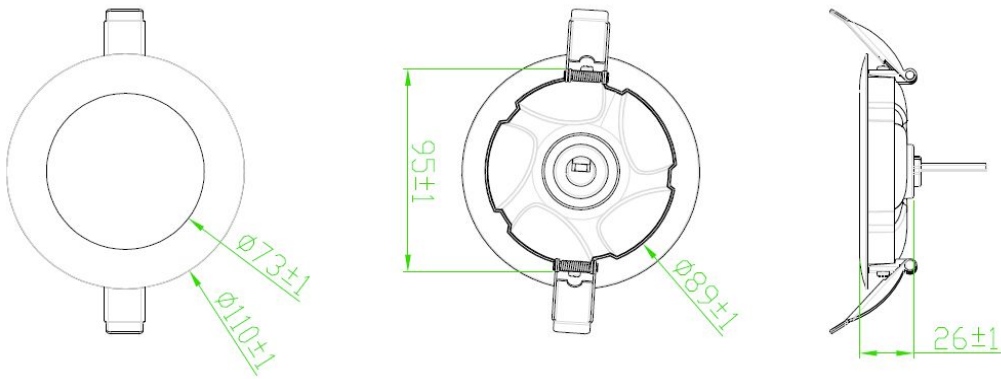
1-1. Environment

	unit	Spec.		
		Typical	min	max
Storage temp.	(degC)	25	-20	60
Operating temp.	(degC)	25	-20	40
Storage humidity	(%RH)	65%	10%	90%
Operating humidity	(%RH)	65%	10%	90%

1-2. Geometry Property

Dimension & Drawing of products

	unit	Spec.		
		Typical	min	max
Diameter	(mm)	110	109	111
Cut-Out	(mm)	100	95	105
MOL	(mm)	26	25	27
Weight	(g)	230	200	260
Base			/	



1-3. Electrical Performance

	unit	spec		
		Typical	min	max
Consumption Power	(w)	10	9	11
Input Voltage	(v)	230	220	240
Input Current	(mA)	46	41	51
Power Factor		0.9		
Frequency	(Hz)	50/60		
Starting time * for EU	(sec)	0.5		

1-4. LED Chip/Package information LED

LED Vender	REFOND/CEC/NATIONSTAR
model no.	2835
Number of LED per board	48

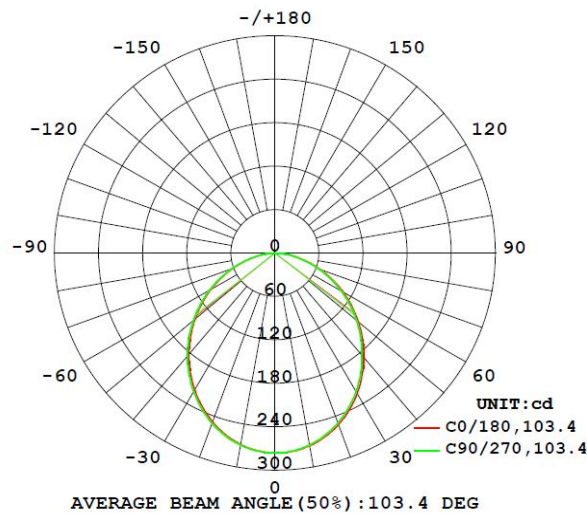
1-5. Photometric Performance

	unit	Spec.			
		Typical			
Color Temp.	(k)	3000	4000	5000	6500
luminous flux (90deg cone) * for EU directional lam	(lm)				
total Luminus flux	(lm)	750	800	800	800
CBCP	(cd)	300	320	320	320
CRI(Ra)	700	≥80			
Beam Angle	(deg)	100			
Efficiency	(lm/w)	75	80	80	80
Dimming		YES			
		Tolerance ± 6 %			

1-6. Lifespan

Lifetime(L70) at 25deg	(hours)	40000	@25℃
Switching Cycle	(times)	20000	30s on / 60s off

1-7. Light Distribution data / LED's Spectrum wave form



1-8. work in special fixture

enclosed (sealed) fixtures	(OK or N/A)	N/A
thermal-insulation fixtures	(OK or N/A)	N/A

1-9. compatibility for switch with indicator (Firefly switch)

compatible	(OK or N/A)	OK
------------	-------------	----

(330kΩ) for ~120V, (750kΩ) for ~230V, Pana_FireFlySW x 2-parallel, work properly ~ for JPN. * N/A- lamp wtransformer

2. Regulation Certification

On the way.

3.Pallatizing (drawing)

	Length (mm)	Width (mm)	Height (mm)	Weight (g)
giftbox	188	145	52	
Outer carton	235	210	165	
Unit weight with lamp				
Carton weight with full lamps inside				

(For example) Package configuration

