

SPECIFICATION FOR APPROVAL



Customer : _____
Products Name : LED VEER DOWNLIGHT
Our Model : LUM-DL4H06-10WDIM
Customer model : _____

Approved by :

ECR history

version	issue date	Description of amendment/additional		
A				

1. Specification

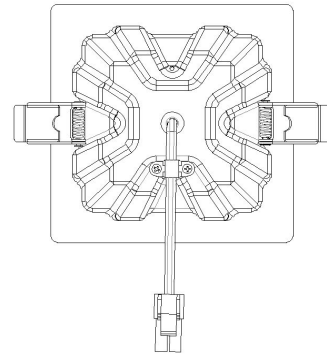
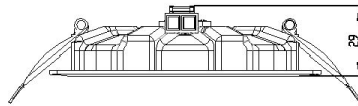
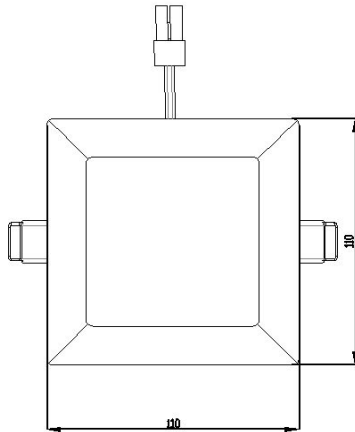
1-1. Environment

	unit	Typical	Spec.	
			min	max
Storage temp.	(degC)	25	-20	60
Operating temp.	(degC)	25	-20	40
Storage humidity	(%RH)	65%	10%	90%
Operating humidity	(%RH)	65%	10%	90%

1-2. Geometry Property

Dimension & Drawing of products

	unit	Typical	Spec.	
			min	max
Diameter	(mm)	110*110	109*109	111*111
Cut-Out	(mm)	98*98	95*95	101*101
MOL	(mm)	29	28.5	29.5
Weight	(g)	250	230	270
Base			YES	



1-3. Electrical Performance

	unit	Typical	spec	
			min	max
Consumption Power	(w)	10	9	11
Input Voltage	(v)	230	220	240
Input Current	(mA)	46	41	51
Power Factor			0.9	
Frequency	(Hz)		50/60	
Starting time * for EU	(sec)		0.5	

1-4. LED Chip/Package information LED

LED Vender	REFOND/SINOTRON/CEC
model no.	2835
Number of LED per boad	36

1-5. Photometric Performance

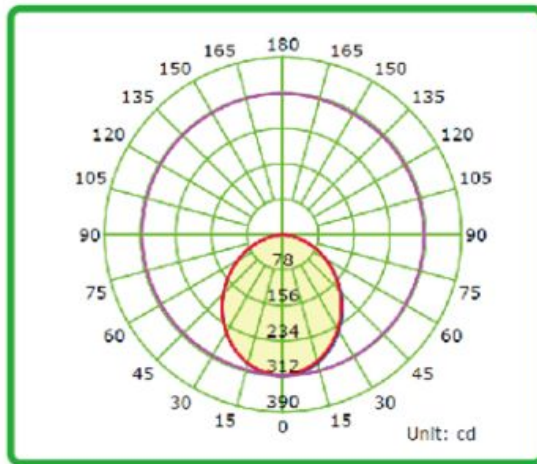
	unit	Spec.			
		Typical			
Color Temp.	(k)	3000	4000	5000	6500
luminous flux (90deg cone) * for EU directional lam	(lm)				
total Luminus flux	(lm)	750	800	800	800
CBCP	(cd)	300	320	320	320
CRI(Ra)	700	≥80			
Beam Angle	(deg)	100			
Efficiency	(lm/w)	75	80	80	80
Dimming		YES			

Tolerance ± 6 %

1-6. Lifespan

Lifetime(L70) at 25deg	(hours)	40000	(25°C) test
Switching Cycle	(times)	20000	no 30s off 60s

1-7. Light Distribution data / LED's Spectrum wave form



1-8. work in special fixture

enclosed (sealed) fixtures	(OK or N/A)	N/A
thermal-insulation fixtures	(OK or N/A)	N/A

1-9. compatibility for switch with indicator (Firefly switch)

compatible	(OK or N/A)	OK
------------	-------------	----

(330kΩ) for ~120V, (750kΩ) for ~230V, Pana_FireFlySW x 2-parallel, work properly ~ for JPN. * N/A- lamp wtransformer

2. Regulation Certification

on the way

3.Pallatizing (drawing)

	Length (mm)	Width (mm)	Height (mm)	Weight (g)
giftbox	163	155	55	
Outer carton	360	345	330	
Unit weight with lamp				
Carton weight with full lamps inside				

For example) Package configuration

(attach Photo here)

