



SPECIFICATION FOR APPROVAL



Customer : _____
Products Name : LED PAR LAMP
Our Model : UM-PAR30SL02-12WDIM
Customer model : _____

Approved by :

ECR history

version	issue date	Description of amendment/additional		
A				

1. Specification

1-1. Environment

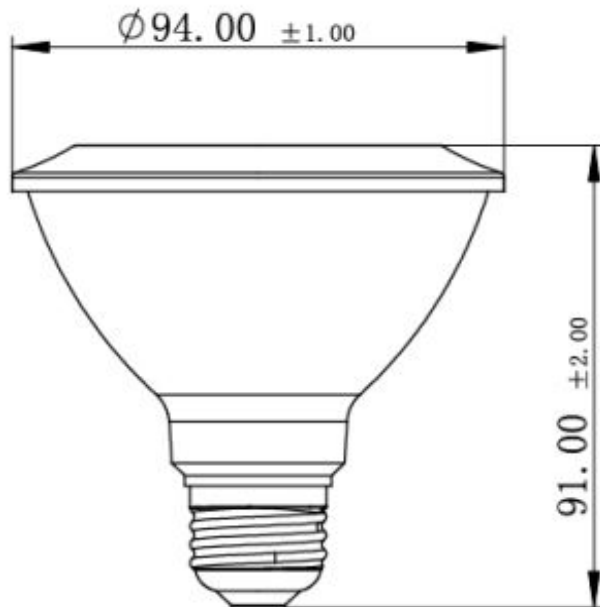
	Spec.			
	unit	Typical	min	max
Storage temp.	(degC)	25	-20	60
Operating temp.	(degC)	25	-20	40
Storage humidity	(%RH)	65%	10%	90%
Operating humidity	(%RH)	65%	10%	90%

1-2. Geometry Property

Dimension & Drawing of products

	Spec.			
	unit	Typical	min	max
Diameter	(mm)	94	93	95
Cut-Out	(mm)			
MOL	(mm)	91	89	93
Weight	(g)			
Base		E26		

Drawing *If it's only drawing, need **tolerance**.*



1-3. Electrical Performance

	spec			
	unit	Typical	min	max
Consumption Power	(w)	12	13.5	13.2
Input Voltage	(v)	120	100	132
Input Current	(mA)			
Power Factor		0.9		
Frequency	(Hz)	60		
Starting time * for EU	(sec)	0.5		
THD	%	No		

1-4. LED Chip/Package information LED

LED Vender	LUMINUS
model no.	COB
Number of LED per board	1

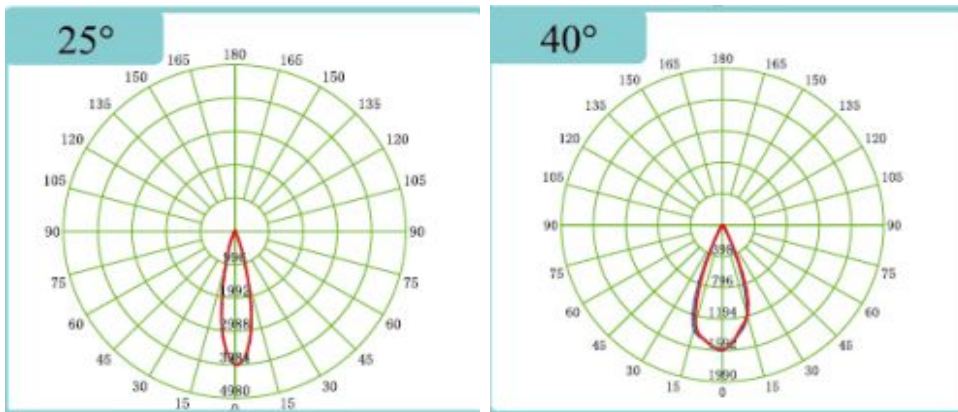
1-5. Photometric Performance

	unit	Spec.			Tolerance ± %
		3000	4000	5000	
Color Temp.	(k)	3000	4000	5000	
luminous flux (90deg cone) * for EU directional lam	(lm)				
total Luminus flux	(lm)	880	900	900	
CBCP	(cd)	4000/1600	4000/1600	4000/1600	
CRI(Ra)	700	≥80			
Beam Angle	(deg)	25/40			
Efficiency	(lm/w)	73	75	75	
Dimming		YES			

1-6. Lifespan

Lifetime(L70) at 25deg	(hours)	40000	(25℃) test
Switching Cycle	(times)	20000	30s on/60s off

1-7. Light Distribution data / LED's Spectrum wave form



1-8. work in special fixture

enclosed (sealed) fixtures	(OK or N/A)	N/A
thermal-insulation fixtures	(OK or N/A)	N/A

1-9. compatibility for switch with indicator (Firefly switch)

compatible	(OK or N/A)	OK
------------	-------------	----

(330kΩ) for ~120V, (750kΩ) for ~230V, Pana_FireFlySW x 2-parallel, work properly ~ for JPN. * N/A- lamp w/transformer

CERTIFICATE OF COMPLIANCE

Certificate Number 20150212-E465691
Report Reference E465691-20150212
Issue Date 2015-FEBRUARY-12

Issued to: Xiamen Candour Co Ltd
A tower 18th FI Sealight Bldg 33 Shuixian Rd
Xiamen
Fujian 361001 CHINA

This is to certify that representative samples of

LAMPS, SELF-BALLASTED, LIGHT-EMITTING-DIODE TYPE

Self-Ballasted Lamps, LED type, Models CDA19201-07**-26LD, CDA19201-10**-26LD, CDA21201-12**-26LD, CDP30201-12**-**26LD, CDP38201-16**-**26LD

Have been investigated by UL in accordance with the Standard(s) indicated on this Certificate.

Standard(s) for Safety:

UL 1993, Self-Ballasted Lamps and Lamp Adapters
UL 8750, Light Emitting Diode (LED) Equipment for Use in Lighting Products
CSA-C22.2 No. 250.13, Light emitting diode (LED) equipment for lighting applications
CSA-C22.2 No. 1993, Self-Ballasted Lamps and Lamp Adapters

Additional Information:

See the UL Online Certifications Directory at www.ul.com/database for additional information

Only those products bearing the UL Certification Mark should be considered as being covered by UL's Certification and Follow-Up Service.

Look for the UL Certification Mark on the product.



Bruce Mahrenholz, Assistant Chief Engineer, Global Inspection and Field Services
UL LLC

Any information and documentation involving UL Mark services are provided on behalf of UL LLC (UL) or any authorized licensee of UL. For questions, please contact a local UL Customer Service Representative at www.ul.com/contactus



3.Pallatizing (drawing)

	Length (mm)	Width (mm)	Height (mm)	Weight (g)
giftbox	100	100	115	
Outer carton	327	218	140	
Unit weight with lamp				
Carton weight with full lamps inside				

For example) Package configuration

