



## SPECIFICATION FOR APPROVAL



Customer : \_\_\_\_\_  
Products Name : **LED SPRINGBOARD DOWNLIGHT**  
Our Model : **LUM-DL3P5H01-10W/10WDIM**  
Customer model : \_\_\_\_\_

Approved by :

--

### ECR history

version	issue date	Description of amendment/additional		
A				

1. Specification

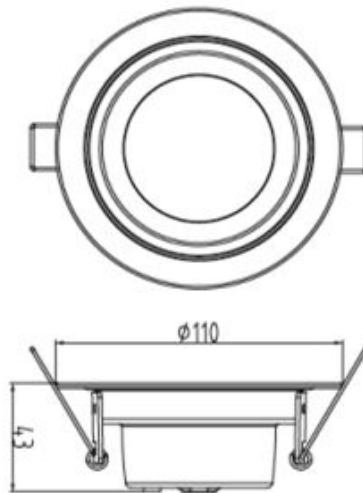
1-1. Environment

	Spec.			
	unit	Typical	min	max
Storage temp.	(degC)	25	-20	60
Operating temp.	(degC)	25	-20	40
Storage humidity	(%RH)	65%	10%	90%
Operating humidity	(%RH)	65%	10%	90%

1-2. Geometry Property

Dimension & Drawing of products

	Spec.			
	unit	Typical	min	max
Diameter	(mm)	110	109	111
Cut-Out	(mm)	100	95	105
MOL	(mm)	43	42.5	43.5
Weight	(g)	100	90	110
Base			/	



1-3. Electrical Performance

	spec			
	unit	Typical	min	max
Consumption Power	(w)	10	9	11
Input Voltage	(v)	230	220	240
Input Current	(mA)	46	41	51
Power Factor		0.9		
Frequency	(Hz)	50/60		
Starting time * for EU	(sec)	0.5		

1-4. LED Chip/Package information LED

LED Vender	DALOR/REFOND
model no.	5630
Number of LED per board	12PCS

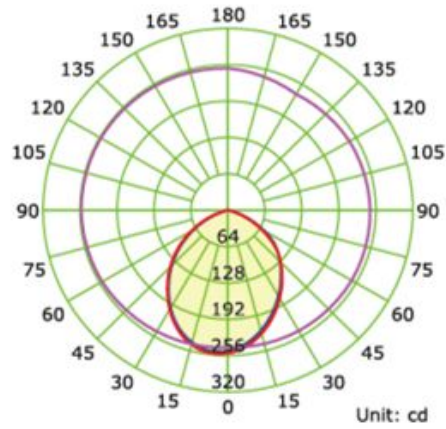
1-5. Photometric Performance

	Spec.				
	unit	Typical			
Color Temp.	(k)	3000	4000	5000	6500
luminous flux (90deg cone) * for EU directional lamp	(lm)				
total Luminus flux	(lm)	760	800	800	800
CBCP	(cd)	300	320	320	320
CRI(Ra)	700	≥80			
Beam Angle	(deg)	100			
Efficiency	(lm/w)	76	80	80	80
Dimming		YES			
		Tolerance ± 6%			

1-6. Lifespan

Lifetime(L70) at 25deg	(hours)	40000	@25℃
Switching Cycle	(times)	20000	30s on / 60s off

1-7. Light Distribution data / LED's Spectrum wave form



1-8. work in special fixture

enclosed (sealed) fixtures	(OK or N/A)	N/A
thermal-insulation fixtures	(OK or N/A)	N/A

1-9. compatibility for switch with indicator (Firefly switch)

compatible	(OK or N/A)	OK
------------	-------------	----

(330kΩ) for ~120V, (750kΩ) for ~230V, Pana\_FireFlySW x 2-parallel, work properly ~ for JPN. \* N/A~ lamp w/transformer

## 2. Regulation Certification

On the way.

3.Pallatizing (drawing)

	Length (mm)	Width (mm)	Height (mm)	Weight (g)
giftbox	125	115	75	
Outer carton	275	250	245	
Unit weight with lamp				
Carton weight with full lamps inside				

(For example ) Package configuration

