



SPECIFICATION FOR APPROVAL



Customer : _____
Products Name : **LED SPRINGBOARD DOWNLIGHT**
Our Model : **LUM-DL8H11-40W**
Customer model : _____

Approved by :

--

ECR history

version	issue date	Description of amendment/additional
A		

1. Specification

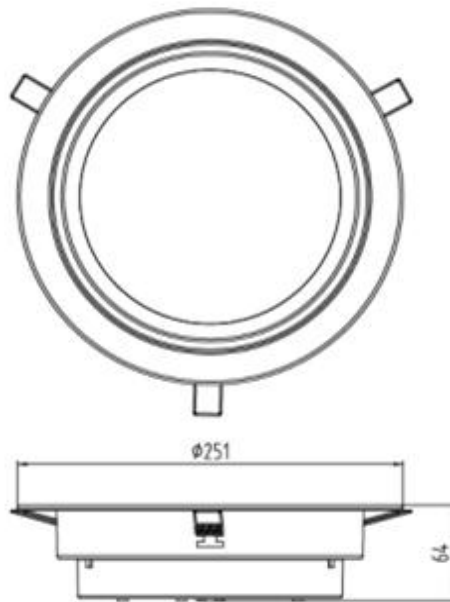
1-1. Environment

	Spec.			
	unit	Typical	min	max
Storage temp.	(degC)	25	-20	60
Operating temp.	(degC)	25	-20	40
Storage humidity	(%RH)	65%	10%	90%
Operating humidity	(%RH)	65%	10%	90%

1-2. Geometry Property

Dimension & Drawing of products

	Spec.			
	unit	Typical	min	max
Diameter	(mm)	251	250	252
Cut-Out	(mm)	205	200	210
MOL	(mm)	64	63	65
Weight	(g)	620	590	650
Base		/		



1-3. Electrical Performance

	spec			
	unit	Typical	min	max
Consumption Power	(w)	40	36.0	44.0
Input Voltage	(v)	230	220	240
Input Current	(mA)	210	200	220
Power Factor		0.9		
Frequency	(Hz)	50/60		
Starting time * for EU	(sec)	0.5		

1-4. LED Chip/Package information LED

LED Vender	REFOND/CEC/NATIONSTAR		
model no.	2835		
Number of LED per board	96		

1-5. Photometric Performance

	unit	Spec.			
		Typical			
Color Temp.	(k)	3000	4000	5000	6500
luminous flux (90deg cone) * for EU directional lamp	(lm)	3000	3200	3200	3200
total Luminus flux	(lm)	3000	3200	3200	3200
CBCP	(cd)				
CRI(Ra)	700	≥80			
Beam Angle	(deg)	100			
Efficiency	(lm/w)	76	80	80	80
Dimming		NO			
		Tolerance ± 6 %			

1-6. Lifespan

Lifetime(L70) at 25deg	(hours)	40000	@25°C
Switching Cycle	(times)	20000	30s on / 60s off

1-7. Light Distribution data / LED's Spectrum wave form

TBD

1-8. work in special fixture

enclosed (sealed) fixtures	(OK or N/A)	N/A
thermal-insulation fixtures	(OK or N/A)	N/A

1-9. compatibility for switch with indicator (Firefly switch)

compatible	(OK or N/A)	OK
------------	-------------	----

(330kΩ) for ~120V, (750kΩ) for ~230V, Pana_FireFlySW x 2-parallel, work properly ~ for JPN. * N/A- lamp w/transformer

2. Regulation Certification

On the way.

3.Pallatizing (drawing)

	Length (mm)	Width (mm)	Height (mm)	Weight (g)
giftbox	262	254	94	
Outer carton	550	530	300	
Unit weight with lamp				
Carton weight with full lamps inside				

For example) Package configuration

